

DHI-VTO2211G-P-S2

IP Villa Door Station



Technical Specification

System

Main Processor	Embedded Processor
Operating System	Embedded Linux OS
Button Type	Mechanical
Number of Buttons	1
Interoperability	CGI; ONVIF
Network Protocol	UDP; TCP; IPv4; DNS; RTSP; SIP; P2P; RTP

Basic

Camera	1/2.8" 2 MP CMOS high definition, low illumination/WDR/color/IR
Field of View	H: 125°; V: 71°; D: 142°
WDR	120 dB
Noise Reduction	3D NR
Video Compression	H.264; H.265
Video Resolution	Main stream: 720p, WVGA, D1, CIF Sub stream: 1080p, WVGA, D1, QVGA, CIF
Video Frame Rate	PAL: 25 fps; NTSC: 30 fps
Video Bit Rate	256 Kbps–8 Mbps
Light Compensation	Auto IR
Day/Night	Auto(ICR)/Color/B/W;Color/B/W
Audio Compression	G.711a; G.711u; PCM
Audio Input	1
Audio Output	Built-in speaker

- Thin lightweight design.
- Supports IR illumination and night vision.
- Two-way audio and voice call through app.
- Can be managed through the management platform; support voice call between App and the door station.
- Card unlock, unlock on the indoor monitor, and remote unlock through the App
- Supports IP65 (Silicone sealant is needed. For details, see the quick start guide).
- Supports 10000 cards.
- Supports standard PoE power supply.
- Controls two locks.



Audio Mode	Two-way audio
Audio Enhancement	Echo suppression/digital noise reduction
Audio Bit Rate	16 KHz, 16 bit

Function

Communication Mode	Full digital
Unlock Mode	Card; app; indoor monitor
Card Type	IC card
Auto Snapshot	Yes
Leave Videos	Yes (SD card is inserted in the indoor monitor or door station)
Storage	Supports Micro SD card (up to 256 GB)
Web Configuration	Yes

Performance

Card Reading Distance	0 cm–4.3 cm (0"–1.69")
Issue Card Locally	Yes
Casing Material	PC + Acrylic

Capacity

Card Capacity	10000
---------------	-------

Port

RS-485	1
Alarm Input	1
Alarm Output	1

IP Villa Door Station | DHI-VTO2211G-P-S2

Power Output	1 port, 12 V and 200 mA
Exit Button	1
Door Status Detection	1
Lock Control	1 port, normally closed by default
Network Port	1 × 10/100 Mbps network port

Alarm

Tamper Alarm	Yes
--------------	-----

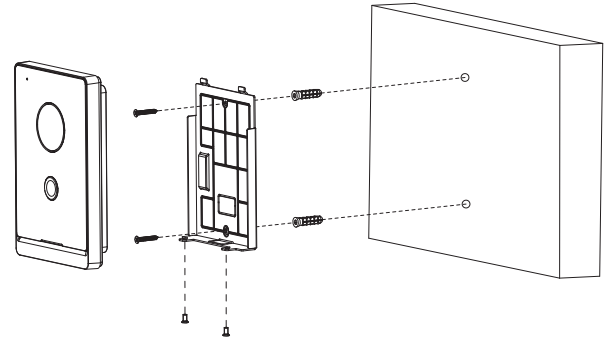
General

Appearance Color	Black plate and silvery frames
Power Supply	12 VDC, 1 A Standard PoE
Power Adapter	Optional
Installation	Surface Mount
Certifications	CE
Accessory	Included: Alarm power ribbon cable, brackets
Product Dimensions	150.0 mm × 100.0 mm × 25.4 mm (5.91" × 3.94" × 1.00")
Protection	IP65 (silicone sealant is needed, see the quick start guide)
Operating Temperature	-30 °C to +60 °C (-22 °F to +140 °F)
Operating Humidity	10%–90% (RH), non-condensing
Operating Environment	Outdoor
Operating Altitude	Beneath 3000 m (9842.52 ft)
Power Consumption	≤ 1 W (standby), ≤ 7 W (working)
Gross Weight	510 g (1.12 lb)
Anti-corrosion Level	Basic Protection

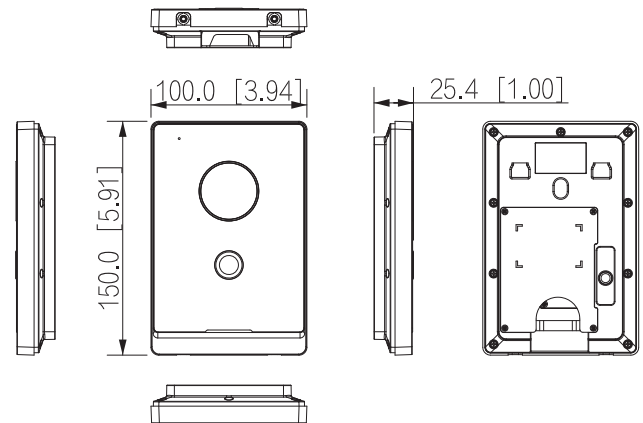
Ordering Information

Type	Model	Description
VTO	DHI-VTO2211G-P-S2	IP Villa Door Station

Installation



Dimensions (mm[inch])



Application

