

THERMALCAMERA

TD-5525E1

Thermal Network Turret Camera



Thermal:

- Resolution: 256×192
- 12μm, NETD: ≤50mK(@25°C, F#=1.0)
- Temperature range: -20°C~150°C
- Dual image fusion (thermal image and optical image)
- Multi-palette: white hot, black hot, iron oxide red, etc.
- Intelligent analytics: region intrusion detection, line crossing detection, target counting
- Sound and light warning, temperature exception alarm, fire detection

Optical:

- 5MP (2592 × 1944) @30 fps
- ICR auto switch, true day/night vision
- 20~30m IR night view distance
- 3D DNR, true WDR(120dB), HLC, BLC, Smart IR, distortion image correction, ROI etc.
- Intelligent analytics: intrusion detection (human/vehicle classification), line crossing detection (human/vehicle classification), scene change detection, video exception detection, target counting(human/vehicle classification), face detection, face capture

Shenzhen TVT DIGITAL TECHNOLOGY CO., LTD.

Address: 23rd Floor, Block B4, Building NO.9, Shenzhen Bay Eco-Technology Park, Nanshan District, Shenzhen, Guangdong Province, P.R.China

Tel: +86-755-36995888

Web site: <http://en.tvt.net.cn>

Fax: +86-755-33104777

E-mail: overseas@tvt.net.cn

SPECIFICATIONS

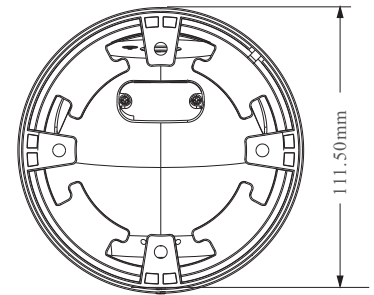
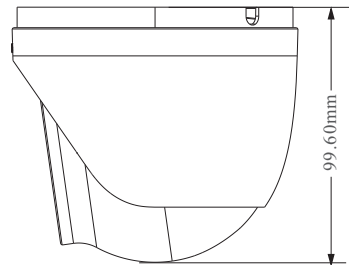
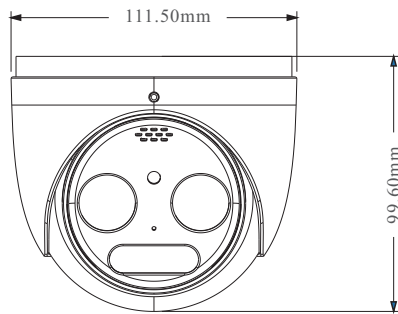
Model	TD-5525E1	
Thermal Module		
Detector Type	12μm 256×192Vanadium oxide uncooled focal plane detector	
Response Waveband	8μm-14μm	
NETD	≤50mK(@25°C, F#=1.0)	
IRIS Type	Fixed Iris	
Lens	3.2mm@F1.1	7mm@F1.0
Field of View(H×V)	56°×42.2°	24.8°×18.7°
Min. Focusing Distance	0.5 m	1.1m
Color Palettes	Black hot, White hot, iron oxide red, etc.	
Visible Light Module		
Image Sensor	1/ 2.7" CMOS	
Image Size	2592 × 1944	
Electronic Shutter	1 s ~ 1 / 100000 s	
Iris Type	Fixed Iris	
Min. Illumination	0.02 lux@F1.6,AGC ON; 0 lux with IR 0.03 lux@F2.0,AGC ON; 0 lux with IR	
Lens	4mm@F1.6	8mm@F2.0
Field of View(H×V)	81°×56.7°	38°×27.5°
Wide Dynamic Range	120dB	
BLC	Yes	
HLC	Yes	
Defog	Yes	
Digital NR	2D/3D DNR	
Image		
Video Compression	H.265 +/ H.265 /H.264+ /H.264 / MJPEG	
H.264 Compression Standard	Baseline Profile / Main Profile / High Profile	
Bit Rate Type	VBR/CBR	
Bit Rate	128Kbps~ 8Mbps	
Resolution	Thermal : 256 × 192	
	Optical: 5MP (2592 × 1944), 4MP (2592 × 1520), 2K (2560 × 1440), 3MP (2304 × 1296),1080P (1920 × 1080), 720P (1280 × 720), D1, CIF, 480 × 240	
Main Stream	Optical: 60Hz: 5MP/4MP/2K/3MP/1080P/720P (1~30fps); 50Hz: 5MP/4MP/2K/3MP/1080P/720P (1~25fps)	
	Thermal : 60Hz: 256 × 192 (the resolution of output image is 720P) (1~30fps); 50Hz: 256 × 192 (the resolution of output image is 720P) (1~25fps)	
Sub Stream	Optical: 60Hz: 720P/D1/CIF (1~30fps); 50Hz: 720P/D1/CIF (1~25fps)	
	Thermal : 60Hz: 256 × 192 (the resolution of output image is 640×480) (1~30fps); 50Hz: 256 × 192 (the resolution of output image is 640×480) (1~25fps)	
Third Stream	Optical: 60Hz: D1/CIF/480 × 240(1~30fps); 50Hz: D1/CIF/480 × 240(1~25fps)	
	Thermal : 60Hz: 256 × 192 (the resolution of output image is 640×480) (1~30fps); 50Hz: 256 × 192 (the resolution of output image is 640×480) (1~25fps)	
Image Settings	ROI, Saturation, Brightness, Hue, Contrast, Wide Dynamic, Sharpness, NR, etc. adjustable through client software or web browser	
Dual Image Fusion	Display the details of optical channel on thermal channel	
Video Overlay	The thermal image can be overlaid on visible light image	
Audio Compression	G711A/U	
ROI	8 regions; each ROI to be configured separately	

Interfaces	
Network	RJ 45
Video Output	No
Audio	1CH 3.5mm MIC/LIN in audio input; 1CH audio output; 1CH built-in MIC; 1CH built-in speaker
Storage	Built-in micro SD card slot; up to 256GB
Reset	Yes
RS 485	No
Alarm	1CH alarm input; 1CH alarm output
Functions	
Temperature Range	-20°C~150°C (-4°F~302°F)
Temperature Accuracy	±8°C
Temperature alarm	Over temperature alarm, low temperature alarm
Temperature Measurement	12 rules in total (10 points, 2 line)
Fire Detection	Dynamic fire detection, up to 10 fire points detectable
Remote Monitoring	IE browser, CMS remote control
Online Connection	Support simultaneous monitoring for up to 10 users; Support multi-stream real time transmission
Network Protocol	UDP, IPv4, IPv6, DHCP, NTP, RTSP, RTP, RTCP, ICMP, IGMP, PPPoE, DDNS, SMTP, FTP, SNMP,HTTP, 802.1x, UPnP, HTTPs, QoS
Interface Protocol	ONVIF
Storage	Network remote storage; micro SD card storage
Smart Alarm	Motion detection, SD card error, SD card full, IP address conflict, Cable connection
Intelligent Analytics	Optical: intrusion detection (human/vehicle classification), line crossing detection (human/vehicle classification), scene change detection, video exception detection, target counting(human/vehicle classification) , face detection, face capture Thermal: Line crossing detection, region intrusion detection, target counting, fire detection, temperature exception alarm
General Function	Watermark, IP address filtering, video mask, heartbeat, password protection, image distortion correction
Sound&Light Warning	White light flashing alarm and sound alarm supported
PoE	Yes , IEEE802.3 af, class0
IR Distance	20~ 30
Protection Grade	IP66
Others	
Power Supply	DC12V / PoE
Power Consumption	< 9W
Operating Environment	Humidity: less than 95 % (non-condensing) -30 °C ~ 60 °C (-22°F~140°F)
Certificate	CE, FCC
Environment Protection	Complies with Directive EU RoHS, WEEE(2012/19/EU) , directive 94/62/EC and REACH(EC1907/2006)
Dimensions (mm)	Ø111.5 × 99.6
Weight (net)	Approx. 0.68KG
Installation	Ceiling mounting; Wall mounting

AVAILABLE MODEL

Available Model	TD-5525E1(PE/VT)
-----------------	------------------

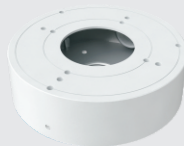
DIMENSIONS



AVAILABLE ACCESSORIES



TD-YXH0302



TD-YXH0106



TD-YXH0302+TD-YZJ0407+TD-YZJ0501



TD-YZJ0203



TD-YXH0302+TD-YZJ0407+TD-YZJ0601



TD-YXH0302+TD-YZJ0811