



MAP LSN Gateway (ICP-MAP0010)



- ▶ Supports up to 127 LSN devices with a maximum LSN loop current up to 300 mA
- ▶ Provides flexible network structures (one loop or two stubs)
- ▶ Provides single fault redundancy on loop configurations (not on stub configurations)
- ▶ Provides two auxiliary power outputs (500 mA each)

Each gateway connects one Local SecurityNetwork (LSN) loop or two stubs at a maximum output current of 300 mA. Each gateway supports up to 127 LSN devices. The Modular Alarm Platform 5000 system supports up to eight gateways on the internal Bosch Data Bus (BDB) and supports up to a maximum of 1500 addresses.

Functions

Fault Tolerance

The design for the loop circuit configuration tolerates a single short or a single open condition and still maintains full operation for all devices on the LSN loop.

Automatic Addressing

Installers can use Bosch Security Systems, Inc. Remote Programming Software (RPS) to check and modify the configuration of devices on the gateway.

LSN Auxiliary Power Outputs

The gateway supports two individually over-current protected and supervised outputs.

Firmware Upgrades

The firmware of all devices in the MAP system can be upgraded or updated with the Bosch Security Systems, Inc. Remote Programming Software (RPS). This allows for on-site or off-site (IP through Ethernet) upgrades or updates.

Certifications and Approvals

Region	Certification
Europe	CE 2004/108/EC EMC Directive (EMC), 2006/95/EC Low-voltage Directive (LVD)

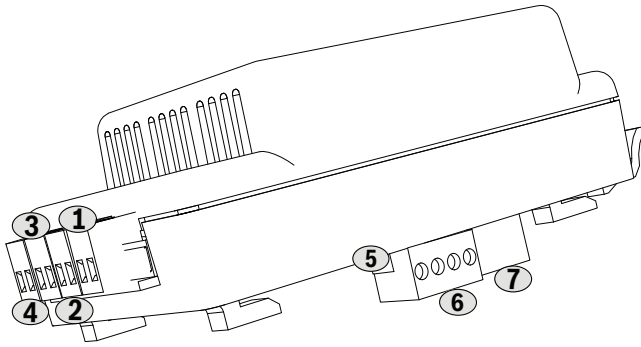
The gateway is designed to comply with the certifications and standards listed here.

Region	Certification
Germany	VdS-G 111040

Installation/Configuration Notes

Terminals and Connectors

The gateway includes a plastic enclosure. The terminal blocks and system connectors are accessible without removing the plastic cover or base.



1. LSN1 AUX power
2. LSN1 LSN data bus
3. LSN2 AUX power
4. LSN2 LSN data bus
5. Tamper input – currently not enabled
6. Bosch Data Bus connector (B)
7. Bosch Data Bus connector (A)

Compatible Devices

Detectors

DS840LSN Series TriTech PIR and Microwave Detectors

- DS840LSN Detector (10.525 GHz)
- DS840LSN-C Detector (10.588 GHz)
- DS840LSN-F5 Detector (9.35 GHz)

DS 935 LSN Infrared Motion, VdS Class B (IR120)

EV 435 AM PIR Motion Detector, VdS Class C

IR 200 PIR Motion detector, VdS Class B

IR 210 and IR 212 PIR Motion Detector, VdS Class B

IR 250T and IR 252T PIR Motion Detector, VdS Class C

IR 270T LSN Improved Infrared Motion Detector Antimask, VdS Class C

UP 350 T LSN Matchtec Detector, Antimask

UP 370 T LSN Matchtec Detector, Antimask

Glass Break Detector

GBS 2036 LSN Passive Glass Break Detector, VdS Class C

Seismic Detectors

GM 570 LSN Seismic Detector

GM 580 LSN Seismic Detector

NKS100 Seismic Detector

Contacts

EMK 36 LSN Built-in Magnetic Contact, VdS Class B

EMK 36 S LSN Built-In Magnetic Contact, VdS Class C

AMK 4 LSN Shutter Door Contact, VdS Class B

AMK 4 S LSN Shutter Door Contact, VdS Class C

SKA 100 LSN Bolt Contact, VdS Class C

SKI 100 LSN Bolt Contact, VdS Class C

Bosch Security Systems, Inc Smartkey Devices

- SE 50 LSN SmartKey Blocking Unit
- SE 60 LSN Improved SmartKey Blocking Unit
- SE 110 LSN SmartKey Arming Device
- SE 120 LSN Improved SmartKey Arming Device
- SE 200, 210, LSN SmartKey Arming Devices
- SE 220 LSN Improved SmartKey Arming Device
- SE 310 LSN SmartKey Arming Device
- SE 320 LSN Improved SmartKey Arming Device

Power Supply

NEV 300 LSN power supply

Interfaces

EMIL 120 LSN Improved Expansion Module

IC 400 LSN Universal Expander¹

IF 100 Intrusion Interface

KD 55 LSN 2-zone Expander Module

KD 55/1 LSN 2-zone Expander Module, Surface-mounted

KD 55/1 LSN 2-zone Expander Module, Flush-mounted

NKK 100 LSN Contact Expansion Module

NTK 100 LSN Annunciator Interface (NTK100-AP)

NTK 100 LSN Annunciator Interface Kit (BSNTK100)

NVK 100 LSN Conventional Arming Device Interface²

ATx 100 LED Annunciator Interface (ATG100, BAT100 - LED Annunciator)

NNK 110 LSN Intrusion Interface 4-wire³

¹ IC 400 shall support the following devices: UP 350, AGB 600, GM 550/565, VF 41, BM 41/45, DR 569, IR 10, DU 192/IR 200/IR 207 T/DS 935, DU 162, GB 96/GBSR6/A360, EV 569E, IR 250 T/EV 669/EV 666, IR S 509, MAGS-S, EMC-V, (one per coupler).

² NVK 100 shall support the following devices: SE 50 GLT, SE 100 GLT, NBS 10

³ NNK 110 shall support the following devices: UP 350, AGB600, GM 550/565, VF 41, BM 41/45, DR 569, IR 10, DU 192/IR 200/IR 207 T/UP 370 T/DS 935, DU 162, NGB 30, GM 570, GB 96/GBSR6/A360, NMC 20, EV 569E, IR 250 T/EV 669/EV 666, IR S 509 (single and profile), MAGS-S, EMC-V, (one per coupler).

Panic Buttons

ND 100 LSN Panic Button

ND 200 LSN Panic Button

Parts Included

Quant.	Component
1	ICP-MAP0010 MAP LSN Gateway
1	Accessory pack <ul style="list-style-type: none"> CAN cable, short Terminal plugs (2 brown, 2 white)
1	Literature, Installation Instructions

Technical Specifications

Electrical

Input Voltage: 16 VDC to 29 VDC, 28 VDC nominal

Maximum Current: 1.6 A at 28 VDC

Standby: Dependent on LSN device load

Maximum LSNAUX Output Current: 2 x 500 mA

Mechanical

Housing

Dimensions: 158.75 mm x 82.55 mm x 63.50 mm
(6.25 in. x 3.25 in. x 2. in.)

Weight: 365 g (0.8 lb)

Material and Color: ABS plastic, off-white

Operating: 1 green power LED

Cable Requirements: 0.6 mm² – 1.0 mm² (18 AWG to 22 AWG) solid or stranded; up to 1000 m (3280 ft) line length; twisted type shielded

Environmental

Operating Temperature: -10°C to +55°C (+14°F to +131°F)

Storage Temperature: -20°C to +60°C (-4°F to +140°F)

Relative Humidity: 5% to 95% (non-condensing) at the operating and storage temperatures.

Protective System Compliant with IEC 60529: IP 30

IEC 62262 Enclosure Protection: IK04

Environmental Class II: EN50130-5, VdS 2110

Use: Intended for indoor use.

Ordering Information

Article Code	VEPOS	Order number
--------------	-------	--------------

MAP LSN Gateway

Supports up to 127 LSN devices. Up to eight gateways can be supported by a Modular Alarm Platform 5000 system.

4330	6841	F.01U.064.521
-------------	-------------	----------------------

Accessories

MAP Power Supply 150W

Power supply and battery charger unit; converts up to 240 VAC input into 24 VDC and 28 VDC output.

4330	6840	F.01U.064.520
-------------	-------------	----------------------

SCHEMA ST4
PDF Preview

Americas:

Bosch Security Systems, Inc.
130 Perinton Parkway
Fairport, New York, 14450, USA
Phone: +1 800 289 0096
Fax: +1 585 223 9180
security.sales@us.bosch.com
www.boschsecurity.us

Europe, Middle East, Africa:

Bosch Security Systems B.V.
P.O. Box 80002
5600 JB Eindhoven, The Netherlands
Phone: + 31 40 2577 284
Fax: +31 40 2577 330
emea.securitysystems@bosch.com
www.boschsecurity.com

Asia-Pacific:

Robert Bosch (SEA) Pte Ltd, Security Systems
11 Bishan Street 21
Singapore 573943
Phone: +65 6571 2808
Fax: +65 6571 2699
apr.securitysystems@bosch.com
www.boschsecurity.asia

Represented by